



HEATSINKS FOR RELAYS

EMAIL

info@mgitaly.it

WEBSITE

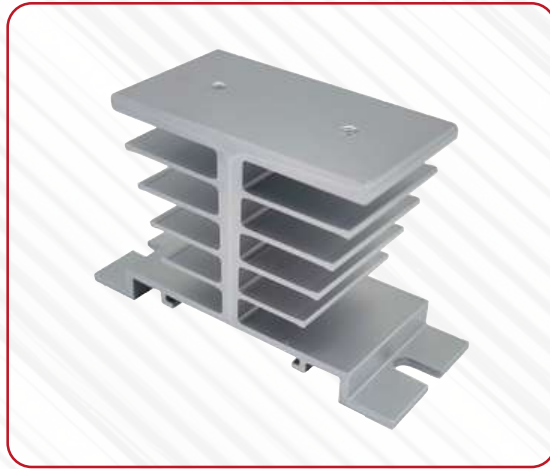
www.mgitaly.it

TELEFONO

+39 055 91 24 139

HEATSINKS FOR RELAYS

MG-HR



MG-HR28



MG-HR21



MG-HR19A



MG-HR19B



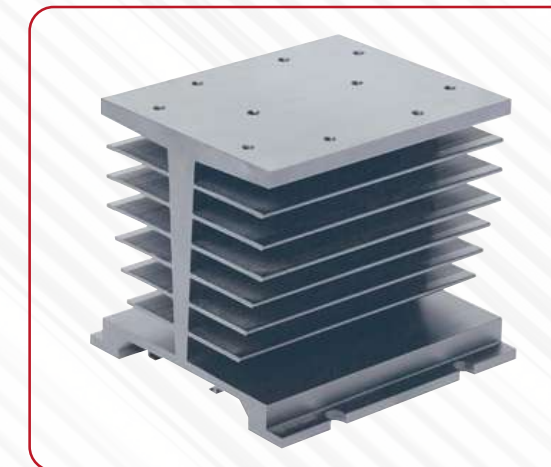
MG-HR17A



MG-HR16



MG-HR16-F



MG-HR08



MG-HR08-F

*Clip RDR-10 for heatsink MG-HR19A: for mounting on 35 mm rail mount (including 6 holes on M4 screws).
*Clip RDR-30 for heatsink MG-HR17A: for mounting on 35 mm rail mount (including 6 holes on M3 screws).



Info	
Application for:	RSR45
Material:	Aluminium
Color:	Grey
Dimensions (L x W x H):	80 x 32 x 50 mm
Weight (typical):	70 g
Thermal Resistance:	2,8 °C/W
Additional Equipment:	-
Mounting:	on panel, on 35 mm rail mount



Info	
Application for:	RSR52, RSR95, RSR92
Material:	Aluminium
Color:	Grey
Dimensions (L x W x H):	80 x 50 x 50 mm
Weight (typical):	115 g
Thermal Resistance:	2,1 °C/W
Additional Equipment:	-
Mounting:	on panel, on 35 mm rail mount



Info	
Application for:	RSR52, RSR95, RSR92
Material:	Aluminium
Color:	Grey
Dimensions (L x W x H):	70 x 50 x 69 mm
Weight (typical):	275 g
Thermal Resistance:	1,9 °C/W
Additional Equipment:	RDR-10
Mounting:	on 35 mm rail mount (with clip RDR-10)



Info	
Application for:	RSR45, RSR52, RSR95, RSR92
Material:	Aluminium
Color:	Grey
Dimensions (L x W x H):	81 x 50 x 83 mm
Weight (typical):	335 g
Thermal Resistance:	1,9 °C/W
Additional Equipment:	-
Mounting:	on 35 mm rail mount



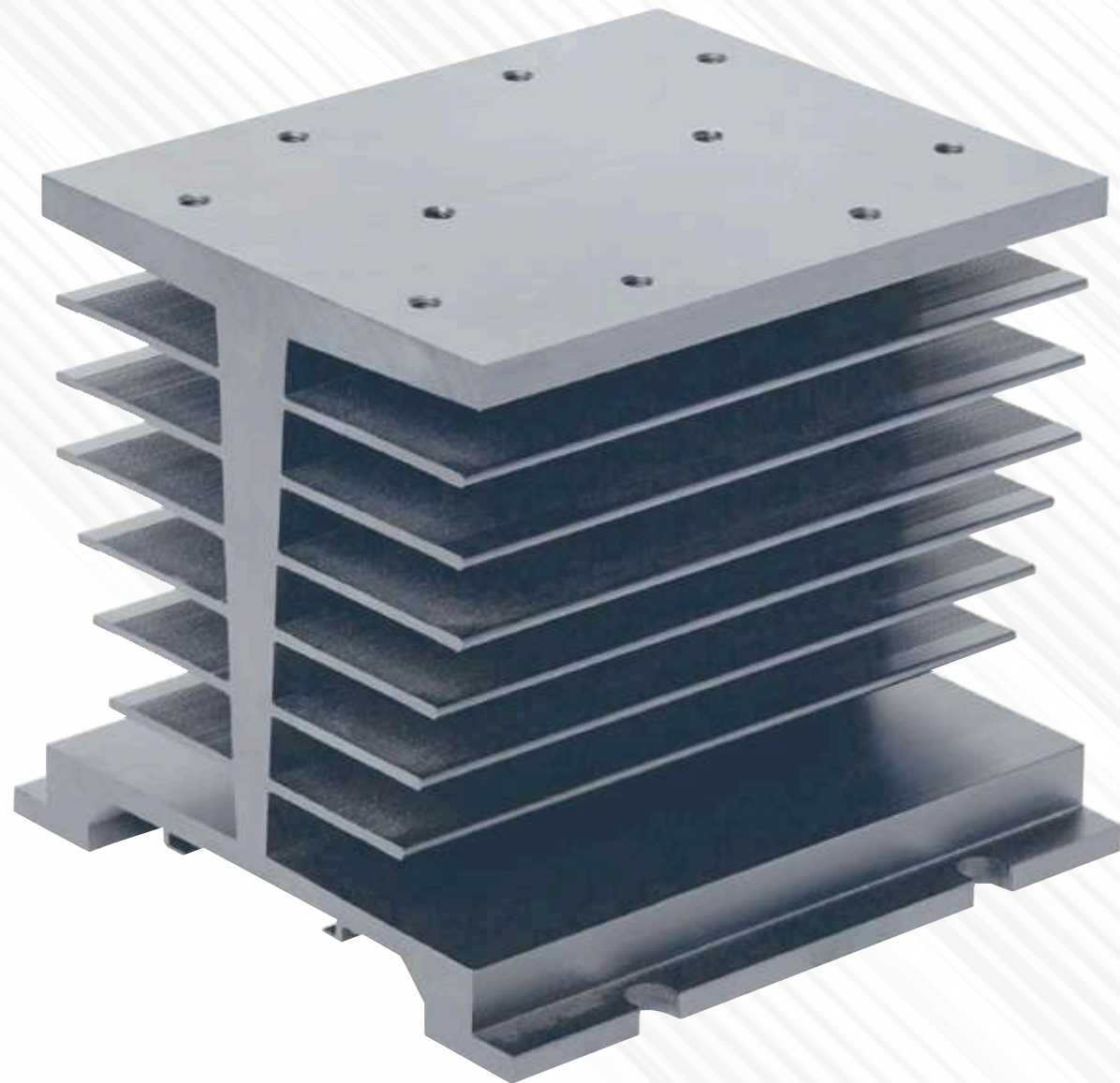
Info	
Application for:	RSR52, RSR95, RSR92
Material:	Aluminium
Color:	Grey
Dimensions (L x W x H):	90 x 50 x 69 mm
Weight (typical):	350 g
Thermal Resistance:	1,7 °C/W
Additional Equipment:	RDR-30
Mounting:	on 35 mm rail mount (with clip RDR-30)



Info	
Application for:	RSR52, RSR95, RSR92
Material:	Aluminium
Color:	Grey
Dimensions (L x W x H):	106 x 50 x 96 mm
Weight (typical):	375 g
Thermal Resistance:	1,6 °C/W
Additional Equipment:	-
Mounting:	on panel, on 35 mm rail mount



Info	
Application for:	RSR52, RSR95, RSR92
Material:	Aluminium
Color:	Grey
Dimensions (L x W x H):	106 x 80 x 96 mm
Weight (typical):	645 g
Thermal Resistance:	0,6 °C/W
Additional Equipment:	built-in fan
Mounting:	on panel, on 35 mm rail mount

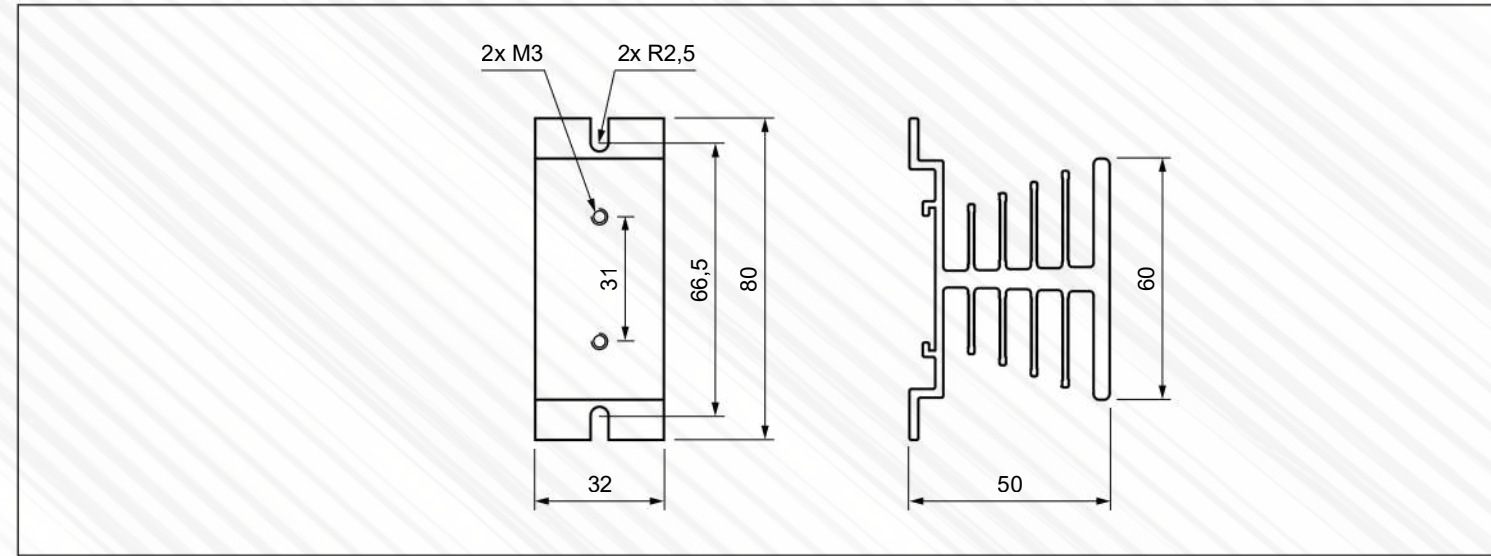


Info	
Application for:	RSR52, RSR95, RSR92, RSR62, RSR92-...-T
Material:	Aluminium
Color:	Grey
Dimensions (L x W x H):	106 x 110 x 96 mm
Weight (typical):	825 g
Thermal Resistance:	0,8 °C/W
Additional Equipment:	-
Mounting:	on panel, on 35 mm rail mount

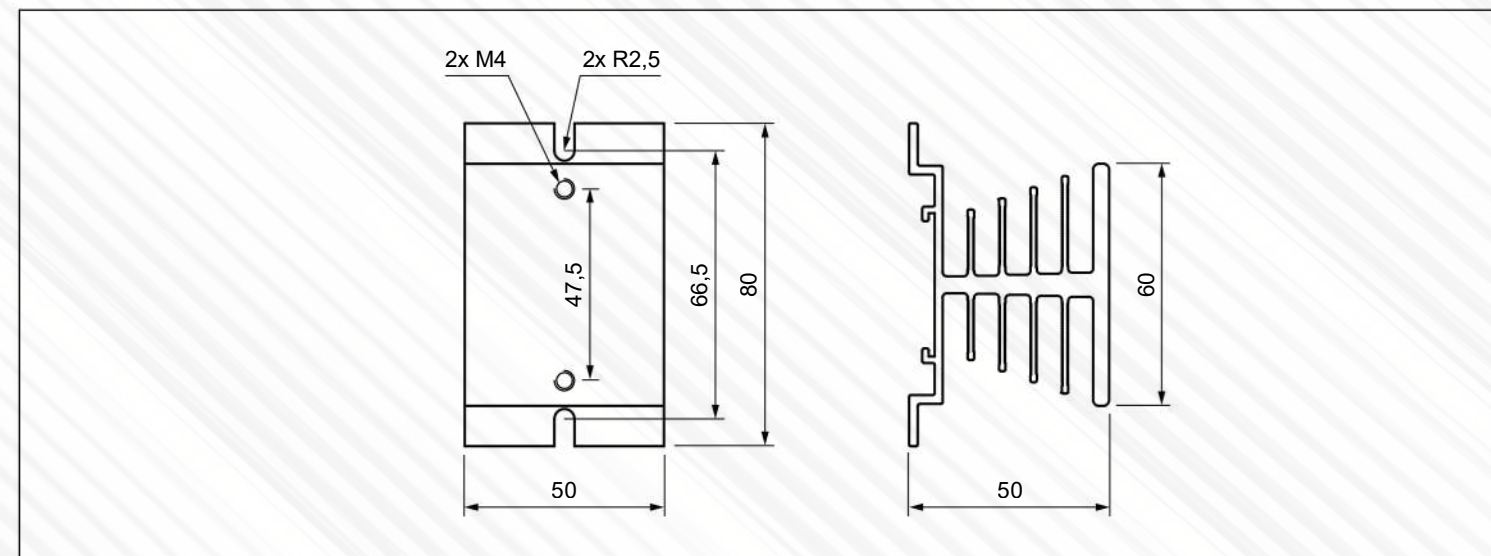


Info	
Application for:	RSR52, RSR95, RSR92, RSR62, RSR92-...-T
Material:	Aluminium
Color:	Grey
Dimensions (L x W x H):	106 x 140 x 96 mm
Weight (typical):	1095 g
Thermal Resistance:	0,35 °C/W
Additional Equipment:	built-in fan
Mounting:	on panel, on 35 mm rail mount

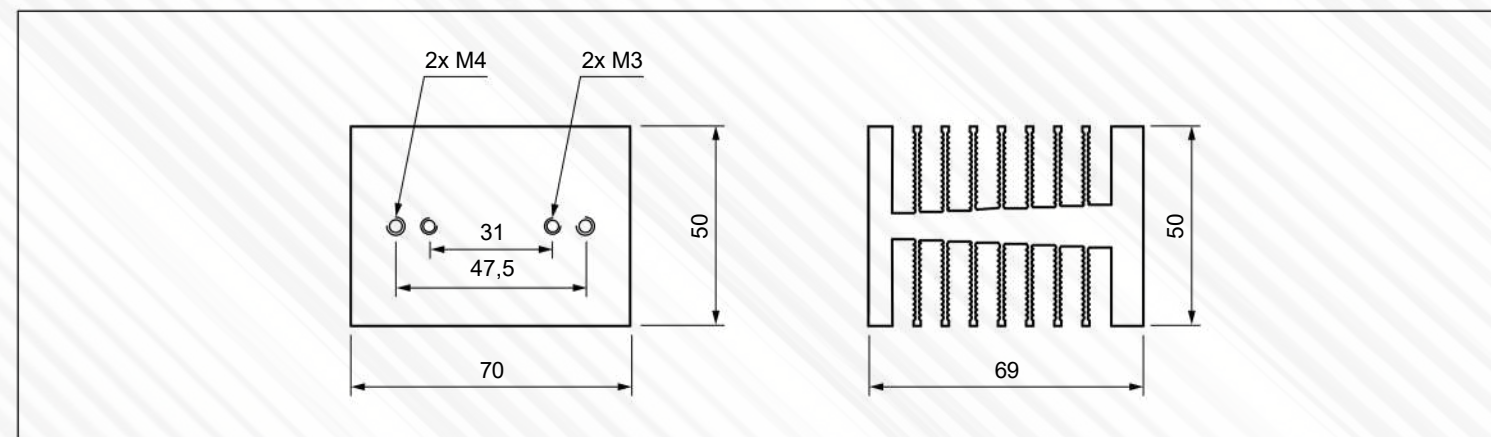
DIMENSIONS



Heatsink **MG-HR28**

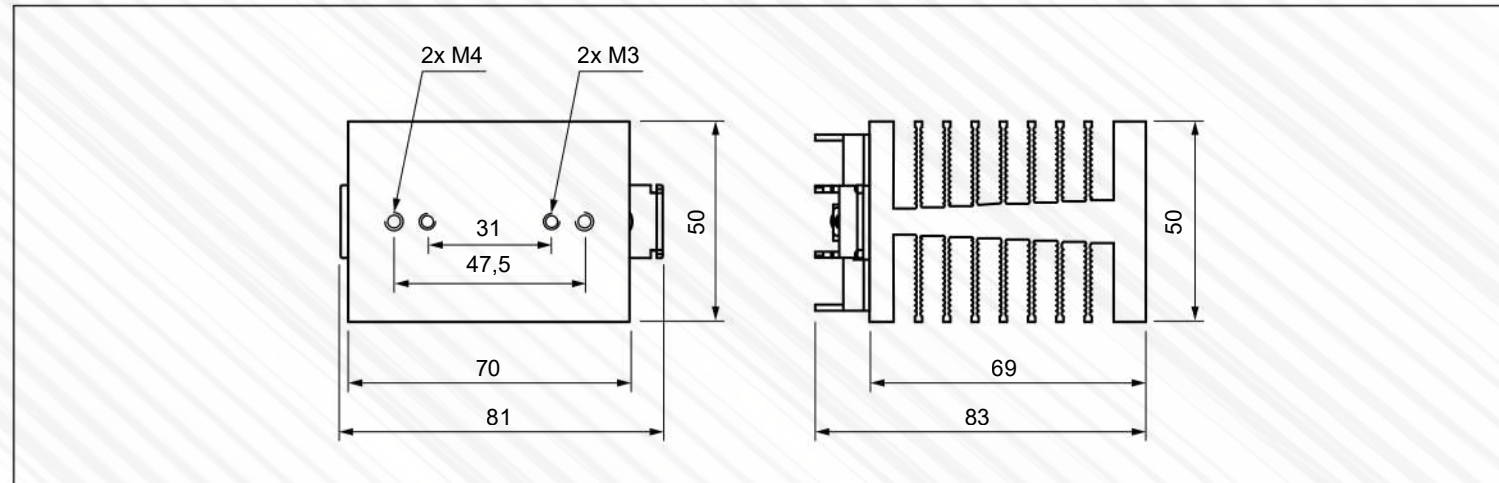


Heatsink **MG-HR21**

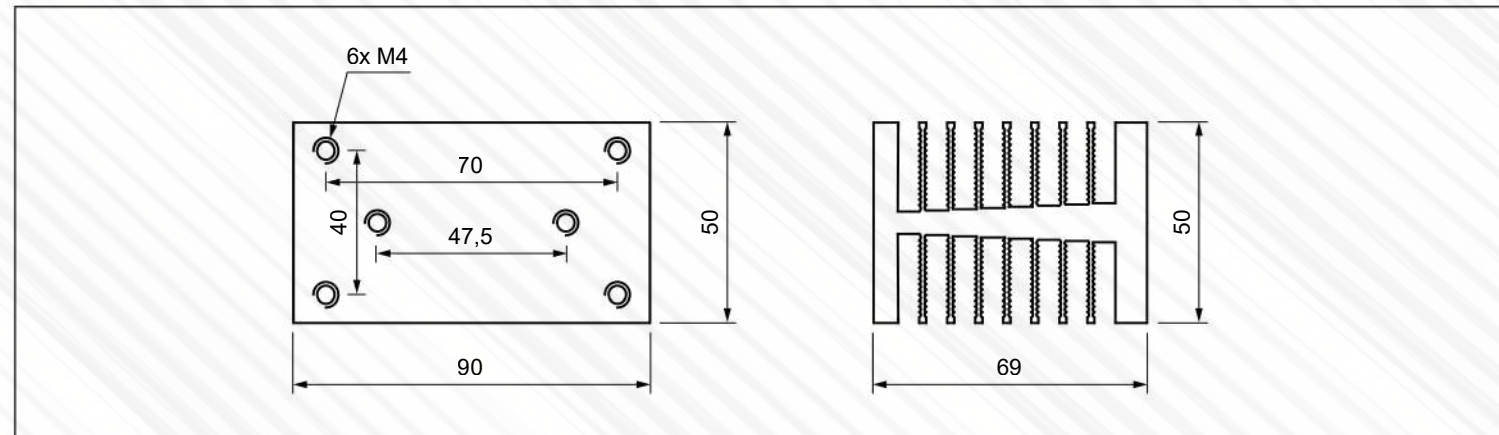


Heatsink **MG-HR19A**

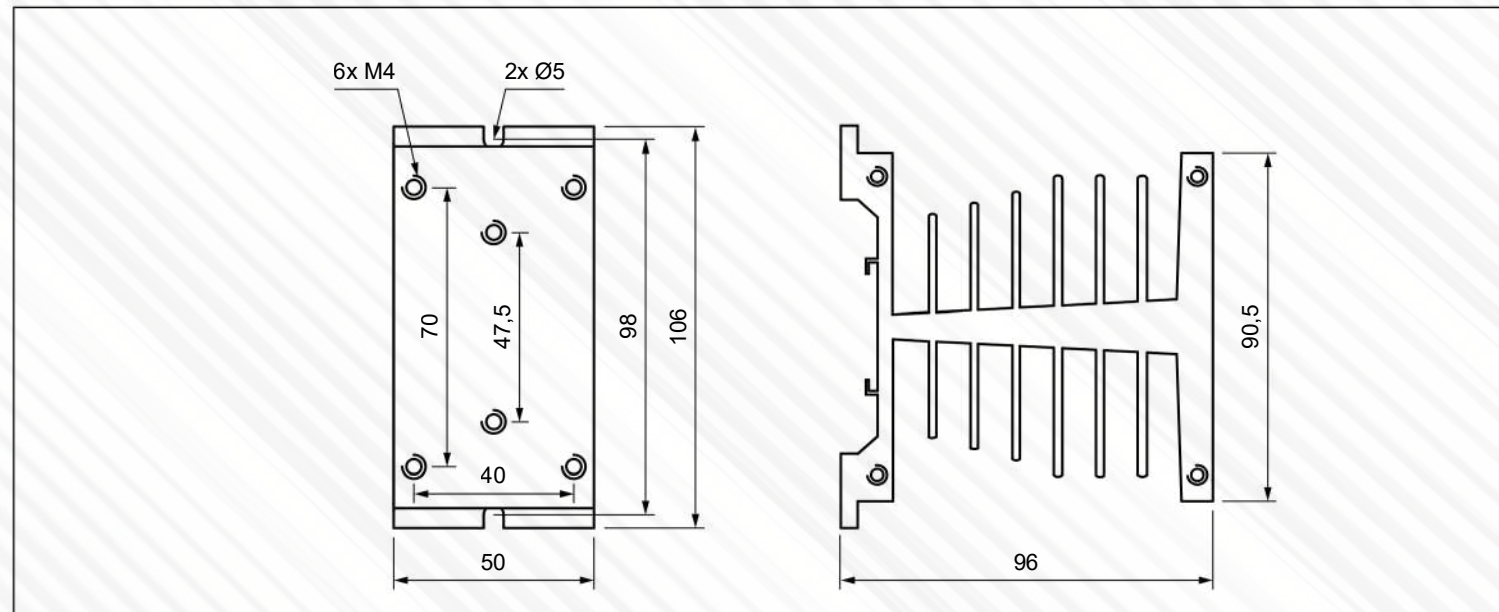
DIMENSIONS



Heatsink **MG-HR19B**

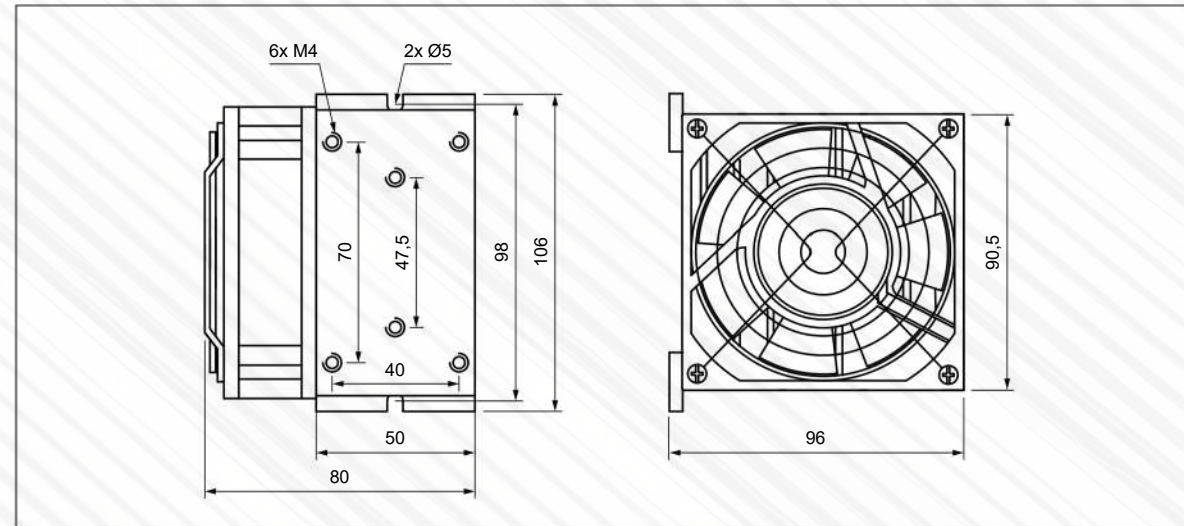


Heatsink **MG-HR17A**

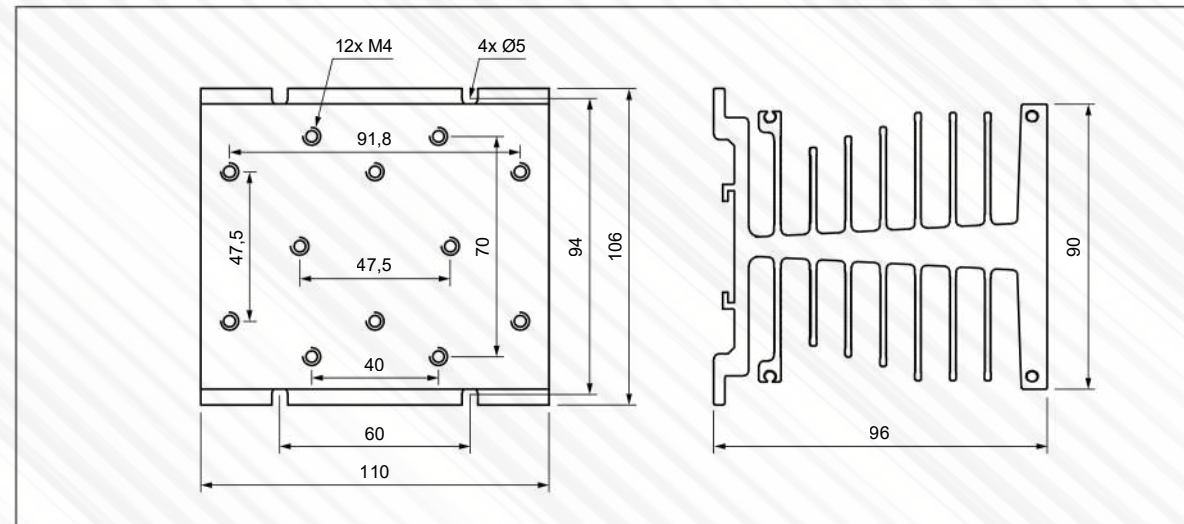


Heatsink **MG-HR16**

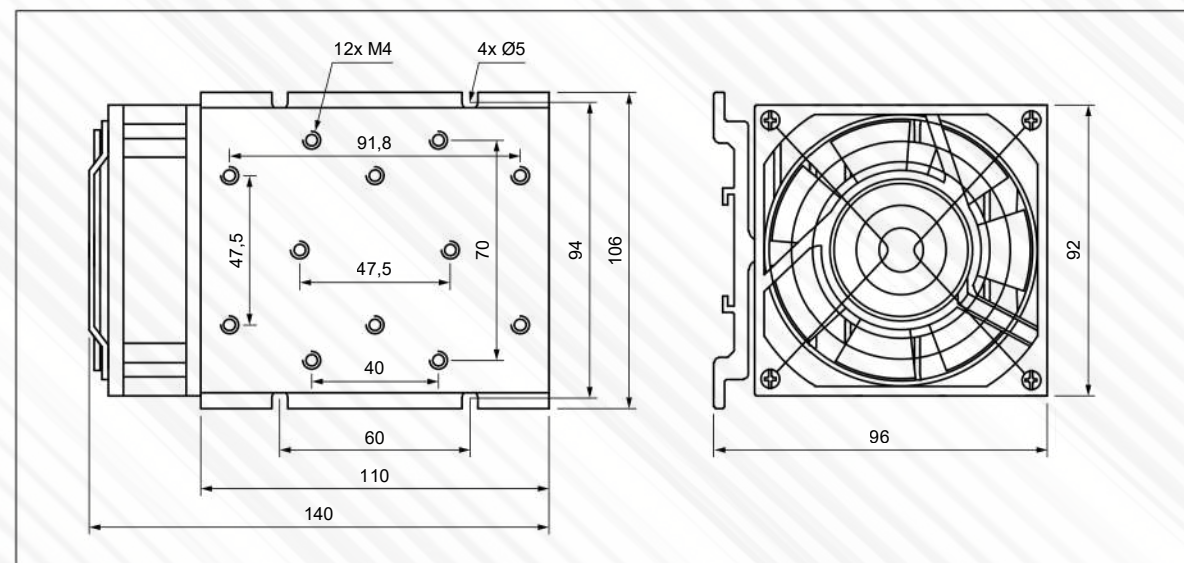
DIMENSIONS



Heatsink **MG-HR16-F**



Heatsink **MG-HR08**



Heatsink **MG-HR08-F**